

Ezifit Thru Roof Exhaust Fan Ø200mm Spigot



CONTENTS & INSTALLATION INSTRUCTIONS

Contents:

Ezifit Fan		1 off.
Roof Flashing-Metal Deck or, Roof Flashing-Tile		1 off.
Mounting Bracket		2 off.
Installation Instruction		1 off.
Mounting Screws		12 off.
Grommet		1 off.

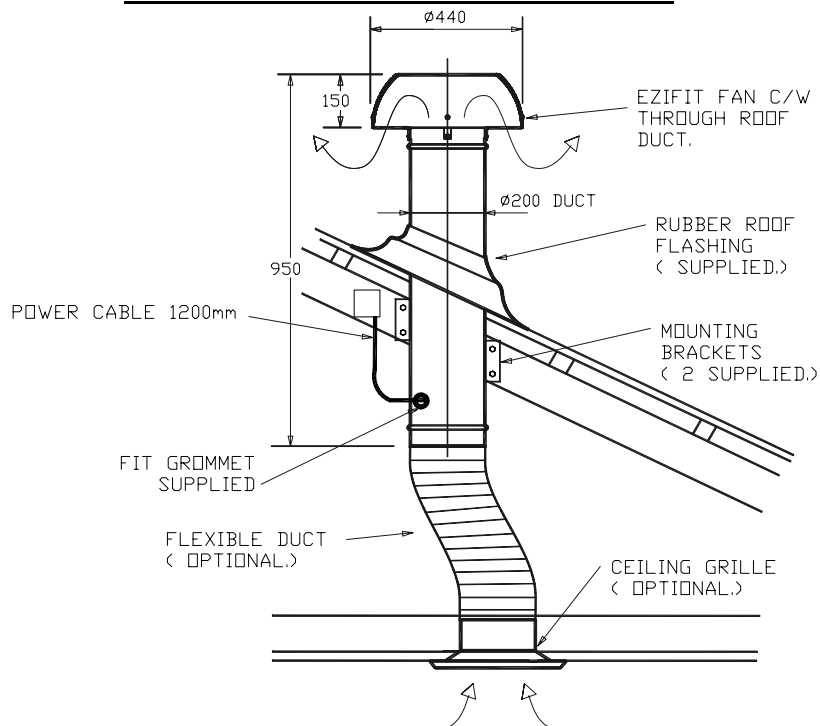
also available on request:

Flexible duct 200 dia. x 6m long	DUCT200-6M	1 off.
Internal ceiling exhaust grille	ALG200	1 off.

Inspection:

Ensure the unit has arrived in good condition and that the impeller will spin freely.
This product is designed to be installed on a roof up to 45° pitch.

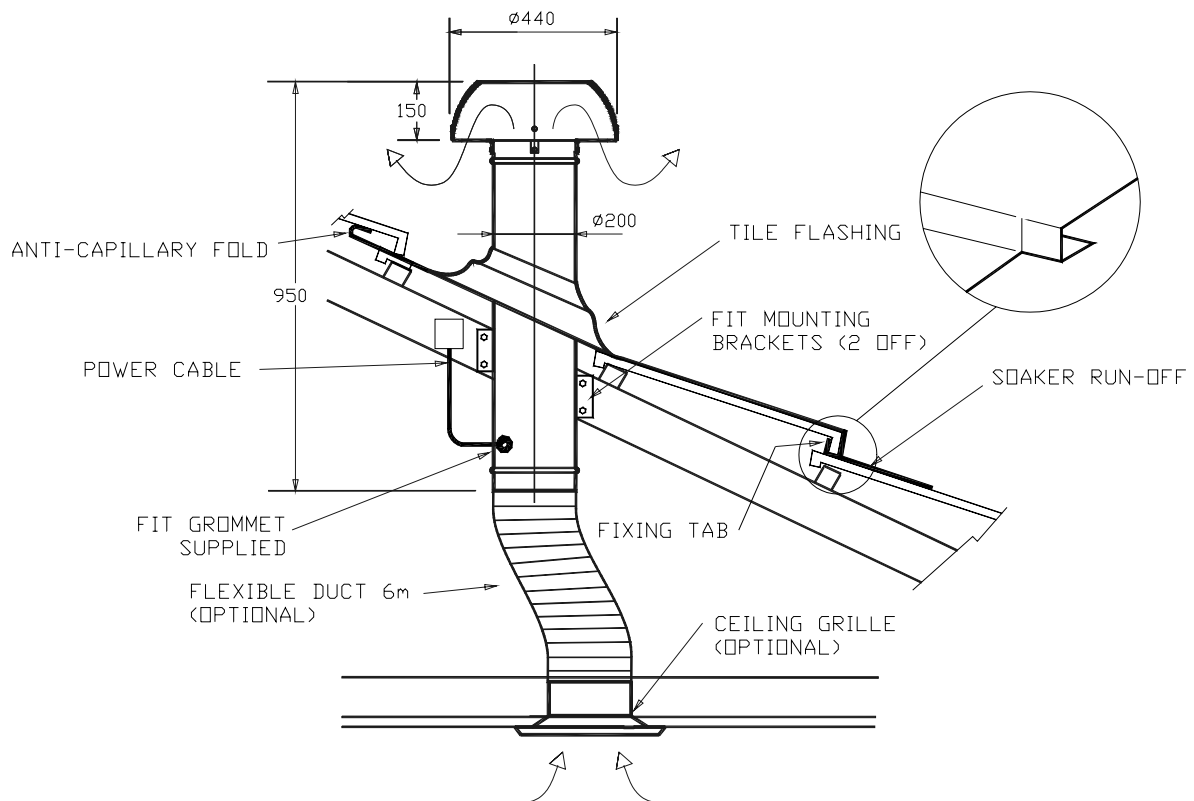
Installation on Metal Deck:



Installation:

1. Installation of this product should be carried out by appropriately qualified persons.
2. Cut a hole in the roof 200mm minimum (with regard to roof pitch angle) diameter. The hole should be positioned adjacent to a rafter or other member to facilitate the use of the mounting brackets supplied. Ensure a clean edge.
3. Cut the rubber roof flashing supplied for 190mm diameter through roof duct.
4. Slide the flashing over the through roof duct to the required position.
5. Check the fit of the duct in the cut hole. The duct must be positioned vertically.
6. If satisfactory fasten the duct to the rafter or other member using the mounting brackets provided.
7. Fit the flashing to the metal deck using the mounting screws provided.
8. Plug fan into an adjacent power outlet.
9. Test run the fan. Check for excessive vibration.
10. The fan through roof duct is designed for connection to 200mm duct using duct tape or clamps.

Installation on Tiles:



Installation:

1. Installation of this product should be carried out by appropriately qualified persons.
2. Prepare an opening in the tiled roof 220mm minimum (with regard to roof pitch angle) diameter. The hole should be positioned adjacent to a rafter or other member to facilitate the use of the mounting brackets supplied.
3. Cut the rubber roof flashing supplied for 190mm diameter through roof duct.
4. Slide the flashing over the through roof duct to the required position.
5. Check the fit of the duct in the opening. The duct must be positioned vertically.
6. If satisfactory fasten the duct to the rafter or other member using the mounting brackets provided.
7. Fit the upper edge of the flashing underneath the tile, bending over top edge to form an anti-capillary barrier.
8. Cut two tabs in the corners of the lower section and turn under tile (refer detail). Lay the lower section of the flashing over the tiles and form a run off tray. Form to tiles as required.
9. Plug fan into adjacent power point.
10. Test run the fan. Check for excessive vibration.
11. The fan through roof duct is designed for connection to 200mm duct using duct tape or clamps.

Safety Considerations:

1. Fans have automatic thermal cut out switches incorporated in the motor as standard.
2. This appliance is not intended for use by young children or infirm persons without supervision.
3. For duct or partition mount, precautions must be taken to avoid the back-flow of gases into the room from the open flue of gas or other open-fire appliances.
4. A damaged supply cord must be replaced by the manufacturer to avoid a hazard.

WARRANTY:

- Fantech Pty Ltd warrants products of its manufacture when not misused or neglected to be free of defects in workmanship and/or materials. Our obligation under this warranty is limited to repairing or exchanging F.O.B. factory, any part, assembly or portion found to be defective within one year from the date of commissioning but not to exceed eighteen (18) months from date of shipment from our factory.
- The Company assumes no responsibility for labour costs involved in the removal of defective parts, installation of new parts or related service charges.
- The Company shall have the option of requiring the return of the defective part (transportation prepaid by the Buyer) to establish the claim.
- Warranty will be void if installation is not carried out by qualified personnel in accordance with these instructions and good trade practice.
- Fully detailed warranty conditions are contained in Fantech's Standard Conditions of Trading.