

**WARNING-** Do not cover the air inlet and outlet. Only a suitably qualified and competent person may carry out maintenance after the electrical supply has been isolated.

## Guarantee

HYDOR or its agents will, within a period of 1 year from the date of dispatch from their works, repair or, at its option, replace any goods, which are proven to have defects as a result of defective materials or workmanship. The goods MUST be returned to HYDOR, carriage paid, for examination.

## Contact Us

Hydor Ltd.

8 Parkers Close, Downton Business Centre

Downton, Salisbury, Wiltshire

SP5 3RB,UK

TEL: +44(0) 1725 511422

FAX: +44(0) 1725 512637

email: info@hydor.co.uk

Hydor Ventilation Aust

42-62 Pound Road West

Dandenong South

Victoria, Australia 3175

TEL: 1300 655 730

FAX: 1300 134 319

email: info@hydor.com.au

Hydor Ventilation SA

11 Ingrid Road

Montague Gardens

Capetown, South Africa 7441

TEL: +27 (0) 21 552 1077

FAX: +27 (0) 21 552 2797

email: info@hydor.co.za

# hydor

## AIR CURTAIN

HAC1209(RC/WS)

HAC1212(RC/WS)

HAC1215(RC/WS)

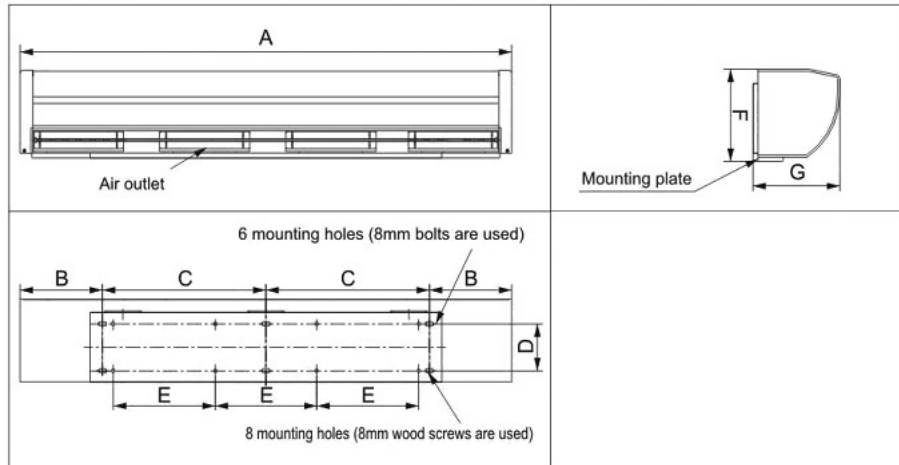
## INSTALLATION & MAINTENANCE INSTRUCTIONS

**THESE INSTRUCTIONS MUST BE READ FULLY  
BEFORE COMMENCING INSTALLATION.**

## Specification (230-240V 50Hz)

Model	Size mm	Low Speed				High Speed			
		Current A	Power W	Outlet Velocity m/s	Noise dB	Current A	Power W	Outlet Velocity m/s	Noise dB
HAC1209..	900	0.75	185	12	55	0.8	200	15	58
HAC1212..	1200	0.95	220	12	55	1.0	240	15	58
HAC1215..	1500	1.25	300	12	55	1.3	320	15	58

## Installation Dimensions



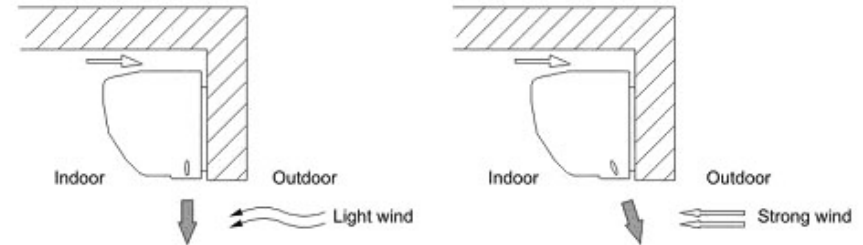
Model	Dimensions, mm							Weight kg
	A	B	C	D	E	F	G	
HAC1209..	903	51.5	400	113	250	222	212	11.3
HAC1212..	1203	201.5	400	113	250	222	212	13.95
HAC1215..	1503	351.5	400	113	250	222	212	21.4

## 1. General

- It is important these Installation and Maintenance Instructions are fully adhered to.
- Full details of the unit supplied are shown on the product nameplate. If in doubt about any detail, contact HYDOR or its agents for clarification.
- Electrical installation must be carried out by suitably qualified and competent personnel in accordance with all current statutory requirements.
- Any declarations made by HYDOR about product installation and safety, are dependent on the air curtain being used within installations which themselves meet the requirements of the relevant Standards and Directives of your region.

## 3. Start-Up

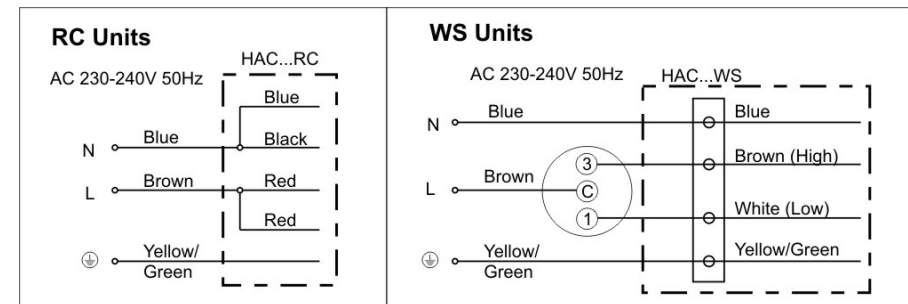
- Before power is supplied to the unit, ensure that the wiring is correct as per the connection diagram.
- Check that the motor amperage draw does not exceed the nameplate rating.
- For RC units, press the relevant button on the handheld remote or the LO-HI button on the unit to set the required speed.  
For WS units, selected LO-HI at the Remote Switch.
- Adjust AIR DEFLECTOR to preferred positions.



## 4. Fan Maintenance

- Inspection of the air curtain at least once every 12 months is recommended to ensure that the motor, fan blades, and inlet filters are clean. Any build up of dust and deposit on the blades or guards should be removed using a non-abrasive cleaner.
- All fastenings should be checked for tightness. In addition, all rotating items should be checked.
- Bearings are of the 'sealed for life' type and will not need a detailed inspection.

## 5. Wiring Diagram

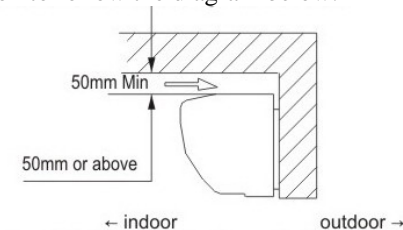


- 1.5. The air curtain must be installed in a dry, sheltered position up to a max. of 40 degrees C. The air curtain is not suitable in corrosive or explosive atmospheres.
- 1.6. The installer should provide easy access to the air curtain to facilitate future maintenance.
- 1.7. The installer should ensure the air curtain is adequately supported.
- 1.8. This product is not intended for use by young children or infirm persons unless they have been adequately supervised by a responsible person to ensure that they can use the product safely. Young children should be supervised to ensure that they do not play with the appliance.

## 2. Installation

WARNING- The air curtain must not be installed in an area where there is any possibility of water/moisture ingress. The air curtain must be isolated from the power supply during installation and maintenance, and must be earthed in accordance with the local regulations.

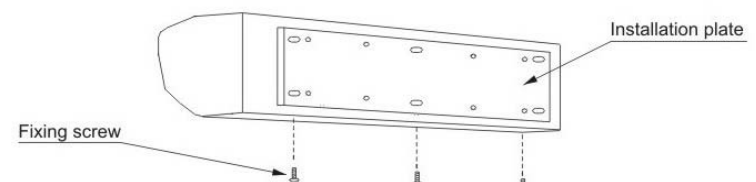
- 2.1. Upon receipt, the air curtain should be visually inspected to check for any damage.
- 2.2. Check the details on the rating plate to ensure that the correct power supply (voltage, frequency and phase) is available.  
An incorrect power supply will lead to permanent damage to the air curtain.
- 2.3. Means for electrical disconnections must be incorporated in the wiring installation in accordance with the relevant wiring and electrical regulations.
- 2.4. Accessories: 6 sets of (M8 x 60L) Fastening bolt, Washers, Spring washers; (M8) Nut.
- 2.5. Installation position to follow the diagram below:



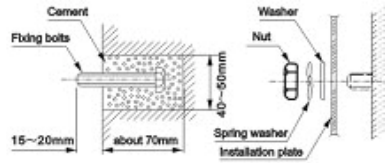
2.6. Coverage height: 3.5m (To install air Curtain horizontally).

2.7. Installation on concrete wall:

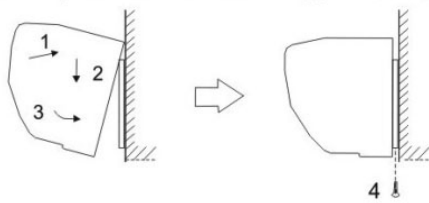
- 2.7.1. Remove Installation Support Plate from rear of unit. See following diagram:



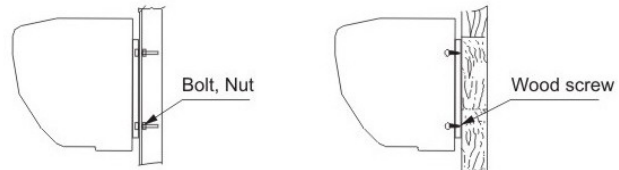
2.7.2. Use Dyna bolts or equivalent to fit the Installation Support Plate to the wall.



2.7.3. Install the unit body onto the Installation Support Plate (see following diagram)



2.8. Other installation methods (see following diagram):



Installation on steel framework

Installation on wooden framework

- 2.9. More than one air curtain unit can be used across the width of a doorway.
- 2.10. The recommended distance between 2 adjacent sets of air curtains to be 20-40mm.