

OdourVac®

Toilet Ventilation System Installation Instructions

FANTECH Plus

OVK1

Contents

- 1 x Rodin In-line Fan with plug and lead and alloy spigots
- 1 x Ø50mm external wall grille
- 2 x Ø50mm x 90° elbow
- 1 x Ø50mm socket
- 1 x Ø50mm to Ø40mm reducer
- 1 x 250mm length of 40mm PVC pipe
- 1 x 200mm length of 40mm clear flexible pipe
- 2 x 100mm length of 40mm PVC pipe
- 1 x Ø40mm x 90° elbow
- 2 x 40mm cover plate
- 1 x Balancing valve

You Need To Supply

- 50mm PVC pipe, enough to extend from the eave terminal to the toilet position.
- Extra bends if required
- Pipe brackets & fittings
- PVC glue
- Duct Tape

Power Supply

- GPO power point source installed by a licensed electrician where the fan will be located.
- The fan can be activated by any of the following options: connecting to light switch, separate fan switch, or movement sensor switch. This work must also be completed by a licensed electrician.

The OdourVac System

The OdourVac system connects directly into the back of the cistern and draws odours from the toilet pan via the internal overflow pipe. For this to occur it is essential that a hole (if one does not already exist) be drilled into the back of the cistern to enable the OdourVac connection. If your selected toilet suite does not have an additional hole, please refer to Step 2a for information on Cistern drilling.

Compatibility

The OdourVac system works with most toilet suites. However, there are certain brands/models on the market which DO NOT enable air to be drawn from the pan, which will mean the OdourVac system will not work. To check if your toilet is compatible, visit www.fantechplus.com/odourvac

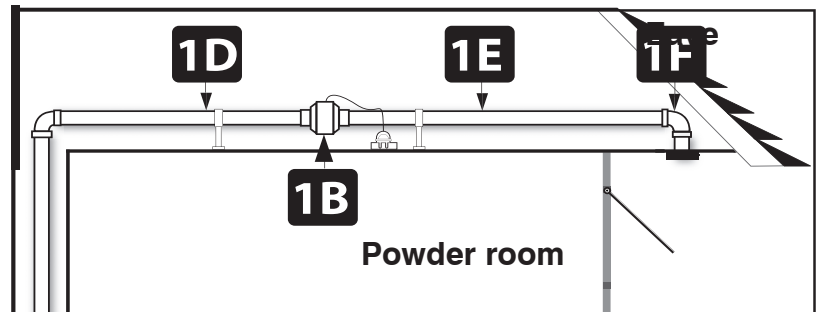
There are 2 stages when installing the OVK1:

Rough In – The project is at lock up stage and prior to the plaster going on the walls. It's at this stage that the fan, ductwork pipe, and bends are installed.

Fit Off – Once the plaster/painting/tiling has been completed and the plumber is commencing the toilet fit-off, the OdourVac system can be fitted off.

Watch a demonstration of an OVK1 installation at www.fantechplus.com/odourvac

Rough In

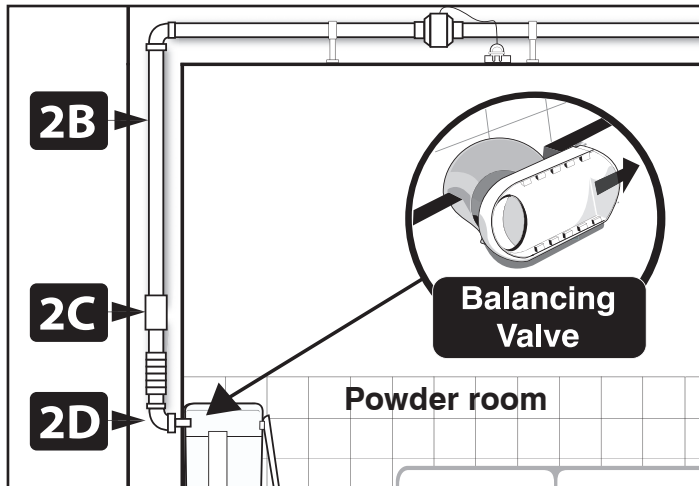


1. Fan and Ductwork Pipe Installation

- 1a) Determine where the fan is to be positioned and the intended route of ductwork pipe in the ceiling space. Ensure the location and type of toilet suite is known and where the OdourVac hole will be located in the cistern.
- 1b) Use the bracket to affix the fan to building structure between exhaust grille and toilet location, ensuring the fan is facing in correct direction. The exhaust fan can be positioned horizontally or vertically in ceiling space if required.
- 1c) The main ductwork pipe to be installed in the ceiling space should be positioned in the most direct route as possible from the toilet through to external discharge location (eaves or wall). Avoid using bends where possible, however if necessary use 2 x 45° bends instead of a 90° bend.
- 1d) Identify where the toilet is to be positioned in the room and connect 50mm PVC ductwork pipe to suction end of the exhaust fan (and attach with duct tape) in the direction of the toilet.
- 1e) Connect 50mm PVC ductwork pipe into discharge end of exhaust fan and attach with duct tape in the direction of the intended discharge point i.e. eave, wall or roof.
- 1f) For exterior eave discharge, glue 50mm 90° bend to 50mm ductwork pipe, then glue another short length of 50mm ductwork to the 90° bend so that it will protrude through eave. **Take measurements of the location of the end of ductwork pipe for fit off in later steps.**

continued...

2. Wall Cavity Ductwork and Toilet (WC) Connection Preparation



- 2a) Drill a 50mm hole in the back of the cistern (if it doesn't already exist) at required location using a diamond hole saw (these can be purchased at most hardware stores). To do this, check toilet dimensions and measure point to centre of OdourVac hole. The 50mm OdourVac hole should be either to left or right from centre of cistern and about 10mm from the top. Also measure height from floor level to the centre of the hole. Don't forget to include the thickness of the floor bed and tiles. This is the reference point to which you rough in ductwork pipe in wall cavity. If toilet is not on site at rough in, you must find out toilet being installed and intended position of OdourVac hole.
- 2b) From 50mm PVC ductwork pipe installed in the ceiling space, attach and glue a 50mm 90° bend and continue 50mm PVC pipe down wall cavity. (If ductwork pipe needs to be chased into brick or masonry walls, 40mm pipe may be used for full length of wall cavity)
- 2c) Connect 50mm socket to pipe and insert 40mm reducer into socket. Attach 250mm length 40mm pipe to reducer, then 40mm clear flexible ducting to PVC pipe. Glue all PVC fittings. Connect clear flex to PVC using duct tape. The clear flex assists in final fit off and provides flexibility/movement in event that the fit off measurements are slightly out.

- 2d) Attach short length of 40mm pipe to bottom of the clear flex with duct tape. Attach/glue 40mm 90° PVC bend to pipe.
- 2e) The bend must terminate at the height and location of the future OdourVac hole in cistern (refer Step 2a). Bend must face where the hole will be in cistern. Leave ductwork pipe in wall cavity to be sheeted over. Take measurements as to location of bend in cavity for fit off in later steps.

Fit Off

3. WC Connection Fit Off

- 3a) Once installation of toilet pan is complete, position cistern in its permanent location and mark the 50mm OdourVac hole location on wall or use dimensions to locate (Step 2e). Remove and cut hole in plaster or tiles.
- 3b) After tiling is complete, locate 40mm bend in wall cavity and glue final short length 40mm PVC pipe to bend. Slide 40mm cover plate over 40mm PVC pipe and glue to wall to cover any excess hole in wall. This pipe will be trimmed/adjusted after connecting cistern and installing the balancing valve.
- 3c) Feed pipe through hole in cistern and re-attach cistern to pan. Trim 40mm inlet pipe approx flush with inside of cistern. Slide other 40mm cover plate over PVC pipe and glue cover plate to inside of cistern. The top of both cover plates may need to be trimmed so that they cannot be seen once cistern lid is in place.
- 3d) Attach OdourVac Balancing Valve by pushing into pipe. The soft foam gasket will seal any other gaps. Once installed, seal any gaps with silicone to reduce air leaks, as they may affect air performance.
- 3e) To fit the external grille go to exterior of building and refer to rough in measurements for location of ductwork pipe in eaves/wall (Step 1f). Cut hole in eaves or wall. Locate 50mm pipe and attach external grille with duct tape. Secure grille to eave/wall with screws/silicon.
- 3f) To achieve good performance ensure power is supplied to exhaust fan then open balancing valve totally and adjust to achieve desired airflow.

GOODS AND WARRANTY

- When supplying goods to a consumer, the following mandated statement applies:
“Our goods come with guarantees that cannot be excluded under the Australian Consumer Law. You are entitled to a replacement or refund for a major failure and for compensation for any other reasonably foreseeable loss or damage. You are also entitled to have the goods repaired or replaced if the goods fail to be of acceptable quality and the failure does not amount to a major failure.”
- The benefits of this warranty are in addition to any rights and remedies imposed by Australian State and Federal legislation that cannot be excluded. Nothing in this warranty is to be interpreted as excluding, restricting or modifying any State or Federal legislation applicable to the supply of goods and services which cannot be excluded, restricted or modified.
- Subject to the conditions and limitation below, the Company warrants products of its manufacture to be free of defects in workmanship and/or materials at the time of delivery to the Buyer.
- Any part, assembly or portion thereof found to be defective within one year from the date of commissioning or eighteen (18) months from date of shipment from our factory, whichever is the sooner, unless expressly stated otherwise in the Company’s Publications or Literature, will be repaired or exchanged F.O.B factory.
- The Company reserves the right to replace defective parts of the goods with parts and components of similar quality, grade and composition where an identical component is not available.
- Goods presented for repair may be replaced by refurbished goods of the same type rather than being repaired. Refurbished parts may be used to repair the goods.
- Goods or parts that have been returned for repair (except where the repair is as a result of the Company’s failure to comply with the statutory guarantees in the ACL) or warranty assessment are deemed to have been abandoned by the Buyer if not collected within 30 days after the Company has notified the Buyer in writing of the warranty assessment outcome or the completed repair.
- The Company reserves the right to dispose or otherwise deal with an abandoned product or part at its discretion.
- This warranty does not apply if:
 - the goods have not been paid for by the Buyer as per the credit terms provided; or
 - the goods have not been installed in accordance with AS NZS 3000/2000 Australian/New Zealand Wiring rules; or
 - the goods have been misused or neglected.
- The Company assumes no responsibility under this warranty for the labour costs involved in the removal of defective parts, installation of new parts or service charges related thereto.
- If a fault covered by this warranty occurs, the Buyer must first contact the Company at the contact address listed below.
- Any warranty claim must be accompanied by:
 - proof of purchase;
 - written details of the alleged defect; and
 - appropriate documentation (such as installation and maintenance records etc).
- The Company shall have the option of requiring the return of the defective part (transportation prepaid by the Buyer) to establish the claim.
- The Company makes no warranties or representations other than set out in this clause 7.
- The repair or exchange of the goods or part of the goods, is the absolute limit of the Company’s liability under this express warranty.



FANTECH
Intelligent Ventilation

Fantech Contacts

Head Office

Victoria - Melbourne

A.B.N. 11 005 434 024

Ph: +61 (3) 9554 7845

Fax: +61 (3) 9554 7833

Email: info@fantech.com.au

Australia

Adelaide (08) 8294 0530

Brisbane (07) 3299 9888

Darwin (08) 8947 0447

Melbourne H.O. (03) 9554 7845

Perth (08) 9209 4999

Sydney (02) 8811 0400

New Zealand

Auckland H.O. (09) 444 6266

Christchurch (03) 379 8622

Wellington (04) 566 0532

Asia

For agents in the Asian region
call (603) 7846 0340
or visit www.eltafantechasia.com

www.fantech.com.au