

Plastic Wall Tube Installation Instructions

Installing the Wall Tube:

1. Check required length of the wall tube by measuring cavity - include fan spigot if necessary. (Diag. 1)
2. Mark and cut tube to length with scissors or knife. (Diag. 2)
3. Measure for fan spigot diameter.
4. Wrap tube around spigot* (if practicable) and fasten with duct tape# or similar at desired diameter. (Diag. 3)
5. Make sure the tube forms a parallel-sided cylinder.
6. Tape# tube to fan spigot* (if practicable) and insert fan and tube into wall cavity. (Diag. 4)
7. Slide external louvre spigot into or over wall tube.

*Please Note: Fantech HV and HCM Series fans do not have spigots. When fitting these units with wall tubes, it is unnecessary to tape the wall tube to the fan. Refer to fan spigot diameter chart below for sizing.

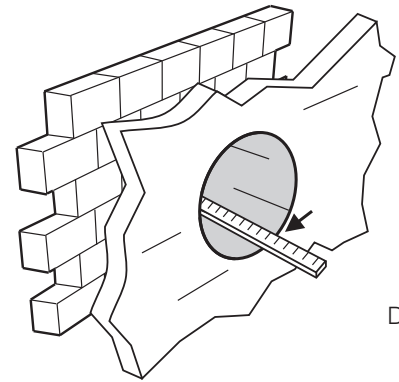
Fantech Models:

EDM Model	Fan Model	HCM Model	Minitube Model MT.	Ring/Vogue Plate Model RP./VRP.	Stylvent Model	Wall Tube Part No.	Spigot Dia. Range, mm
EDM-100	-	-	-	-	-	WT130PPK	100-130
EDM-200	-	-	-	-	-	WT130PPK	100-130
EDM-300	-	HCM-150	-	20.	HV-150	WT230PPK	150-230
-	-	HCM-180	-	-	-	WT230PPK	150-230
-	EN20	HCM-225	25.	25.	HV-250	WT370PPK	250-370
-	EN25	-	30.	30.	HV-300	WT370PPK	250-370
-	EN31	-	35.	35.	-	WT370PPK	250-370
-	EV22	-	-	-	-	WT370PPK	250-370
-	EV26	-	-	-	-	WT370PPK	250-370
-	EV31	-	-	-	-	WT370PPK	250-370

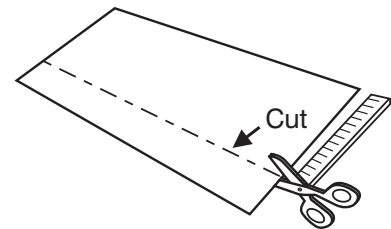
#Tape not included.



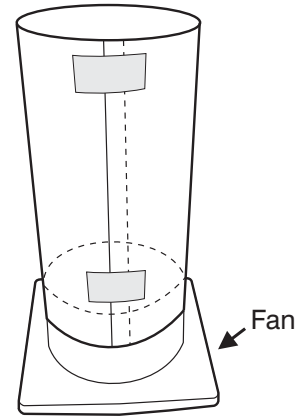
Adelaide	(08) 8377 0502
Brisbane	(07) 3805 5944
Canberra	(02) 6280 5511
Darwin	(08) 8947 2010
Launceston	(03) 6344 6888
Melbourne	(03) 8545 2345
Geelong	(03) 5229 0188
Newcastle	(02) 4961 6088
Perth	(08) 9344 6777
Sydney	(02) 8811 0400
Sydney CBD	(02) 8338 9980
Sydney South	(02) 9153 6005
Townsville	(07) 4775 5222
Wollongong	(02) 4226 5133
Auckland	(09) 444 6266
Christchurch	(03) 379 8622
Wellington	(04) 528 0532



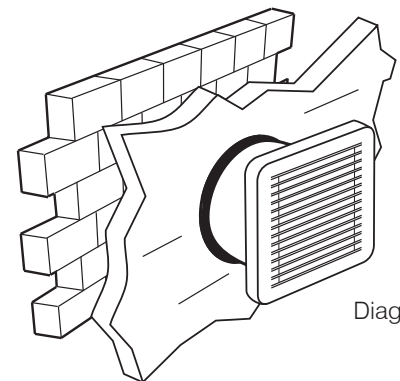
Diag. 1



Diag. 2



Diag. 3



Diag. 4