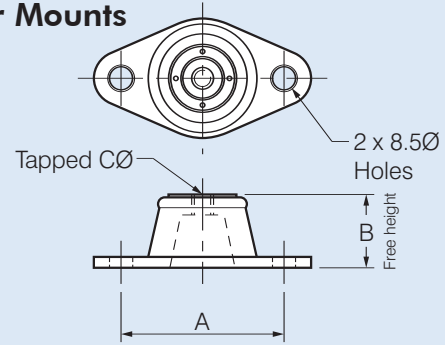


RUBBER-IN-SHEAR MOUNTS



DIMENSIONS & SELECTION TABLES

Rubber Mounts



FEATURES

These mounts provide effective isolation of noise and vibration from equipment speeds of 16 r/s (6-pole) upwards.

Types NR and NRD only

- threaded insert in the top for equipment fastening.
- rated static deflection from 5-10mm.
- non-skid ribbed base; bolting down not normally required.
- Colour-coded for easy identification of the load range.
- corrosion-resistant element; metal parts embedded in the elastomer.

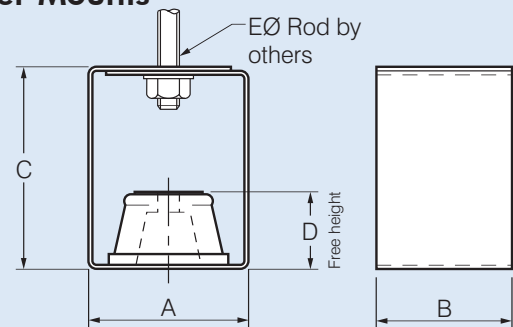
Types RH and RHD only

- rated static deflection from 5-10mm.
- colour-coded for easy identification of the load range.
- corrosion-resistant element; metal parts embedded in the elastomer
- heavy-duty steel cage.
- if mechanical or fire damage occurs, the metal plates in the hanger element interlock so that complete loss of support is unlikely.
- fully weatherproofed.

If features or ratings are required beyond that shown, please contact Fantech.

Model Number	Colour	Max. Load kg/mt	Static Defl. mm	Dimensions, mm		
				A	B	CØ
Single deflection						
NR1	Blue	17	5			
	White	25	5	60	28	M10
	Red	40	5			
NR2	White	70	6	76	32	M10
	Red	100	6			
Double deflection						
NRD1	Blue	17	8			
	White	25	8	60	35	M10
	Red	40	8			
NRD2	White	70	10	76	44	M10
	Red	100	10			

Hanger Mounts



Model Number	Colour	Max. Load kg/mt	Static Defl. mm	Dimensions, mm				
				A	B	C	D	EØ
Single deflection								
RH1	Blue	17	5					
	White	25	5	60	50	75	31	10
	Red	40	5					
RH2	White	70	6	75	65	130	41	16
Double deflection								
RHD1	Blue	17	8					
	White	25	8	60	50	75	38	10
	Red	40	8					
RHD2	White	70	10	75	65	130	54	16

HOW TO ORDER

When selecting vibration isolators, divide the weight of the unit being isolated by the number of mounts being used to determine the kg/mount required. Then select the mount with the next highest weight loading and deflection required. Vibration isolators are generally used in sets of four.