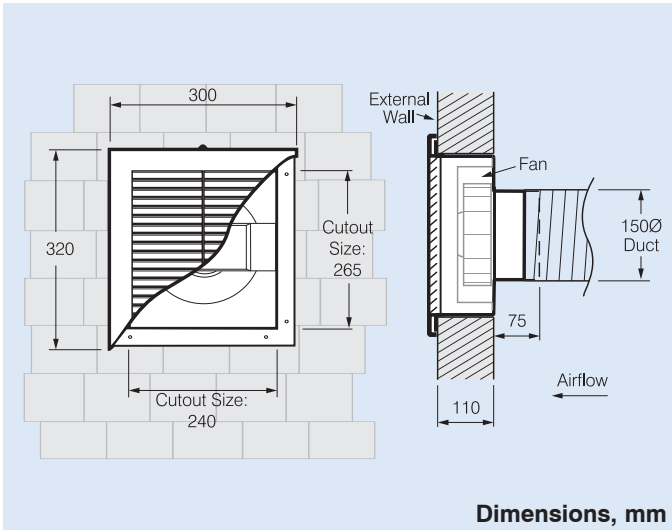


DIMENSIONS



DSS1-16 - 3-SPEED SWITCH

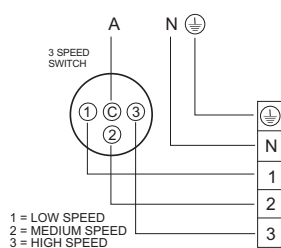


FEATURES

The DSS1-16, 3-speed mounted switch has been specifically designed for the Ezifit In-Wall exhaust fan to switch between high, medium and low speed.

The switch is surface mounted, has an enclosure rating of IP30 and has a 70W X 114H switch plate. A recess depth of 25mm is required for mounting.

WIRING DIAGRAM



DSS1-16

