

FGR - FILTER UNIT



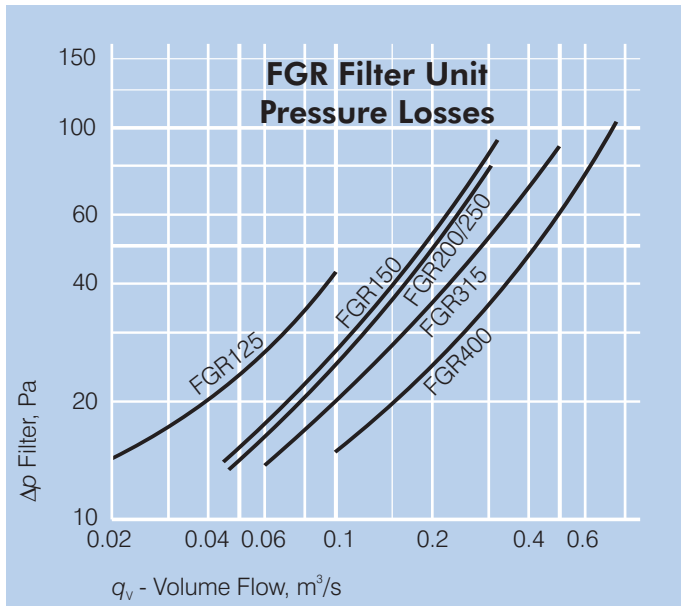
FEATURES

The FGR filter units are fitted with a throw-away panel dust filter. The cassette is made of galvanised steel with rubber-sealed circular connections and the cover has quick-release latches.

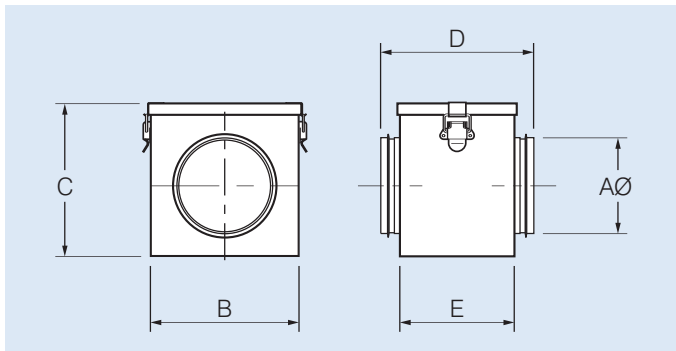
Table below indicates which filter fits on specific fan models.

AS1132 No. 4 Test Dust

Average Arrestance - 85.3%



DIMENSIONS

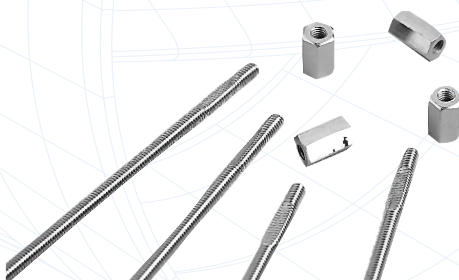


Filter Unit Part No.	Dimensions, mm				
	AØ	B	C	D	E
FGR125	125	200	200	220	122
FGR150	150	200	200	220	122
FGR200	200	245	245	230	122
FGR250	250	295	295	240	122
FGR315	315	345	345	240	122
FGR400	400	448	448	240	150

SELECTION TABLE

VentMajor In-line Fan Model	Silent EcoWatt MixVent In-line Fan Model	ProVent In-line Fan Model	JetStream In-line Fan Model	Filter Unit Part No.
VM-125L	TD-350/125..	RIL-125	-	FGR125
VM-150L	TD-500/150..	RIL-150SW/RIL-150TSW	JCE152	FGR150
VM-200L	TD-800/200(N)..	RIL-200SW/RIL-200TSW	JCE202	FGR200
VM-250L	TD-1300/250..	-	-	FGR250
VM-315L	TD-2000/315..	-	-	FGR315
-	-	-	-	FGR400

WALLRODSPK - WALL RODS



FEATURES

Used to attach the Stylvent and HCM fans to the wall.

Wall thickness can vary from a minimum of 25mm to a maximum of 300mm. Order in packs of 4.

Part No: WALLRODSPK