

A



## DESCRIPTION

The stylish and modern Ultimate ceiling mounted header box fan is the quietest and most powerful in its class. Its fully optimised inlet cone and centrifugal impeller design maximises air pressure that ensures rooms are quickly cleared of steam and unpleasant odours. It includes features such as a unique swing clip and removable spigot that makes it very easy to install into a standard 10" round fan cut out.

## Typical Applications

Exhausts from residential or light commercial applications such as toilets, bathrooms, laundries, kitchens and ensuites. Its low profile compact design and side exhaust outlet makes it suitable for mounting between floors and applications with low ceiling heights such as cathedral ceilings.

## Features

- Advanced impeller and housing design provides powerful air flow and minimises noise
- High strength swing clips make installation easy
- Low resistance non-return backdraft damper maximises air flow performance
- Easy to remove diffuser makes cleaning simple
- Can be retrofitted into a standard 10" round fan cut out
- Fitted plug and lead simplifies installation
- Square diffuser can be easily rotated to align with walls
- Available with a modern square or round diffuser
- Available with a 3 to 15 minute adjustable run-on timer

## Construction

Housing and diffuser are made from injected moulded, fire retardant, ABS plastic. Fans are forward-curved centrifugal, driven by a squirrel cage motor.

## Motor

Type - squirrel cage induction motor.  
Electricity supply - 230V, single-phase, 50Hz.  
Bearings - sealed for life, ball.  
See pages O-2/3 for details on these motors.

## Internal Thermal Protection

Automatic reset thermal protection is fitted as standard

## Testing

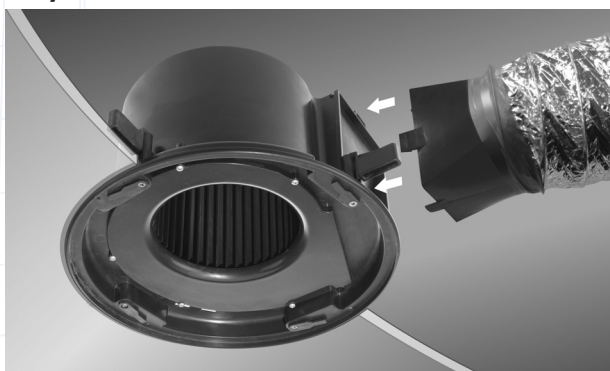
Air flow to ISO5801: 2007  
Noise to ISO3744: 2010

## Special Note

Timer models ULT29-150SDWT and ULT29-150RDWT include a plug and lead to suit HPM 4 pin socket.

## SPECIAL FEATURES

### Easy duct connection



Long clip-in spigot makes installation and duct connection easier.

### Installation is made easy



Rotate swing clips to hold fan body in place.



Tighten screws so clips clamp onto ceiling board.

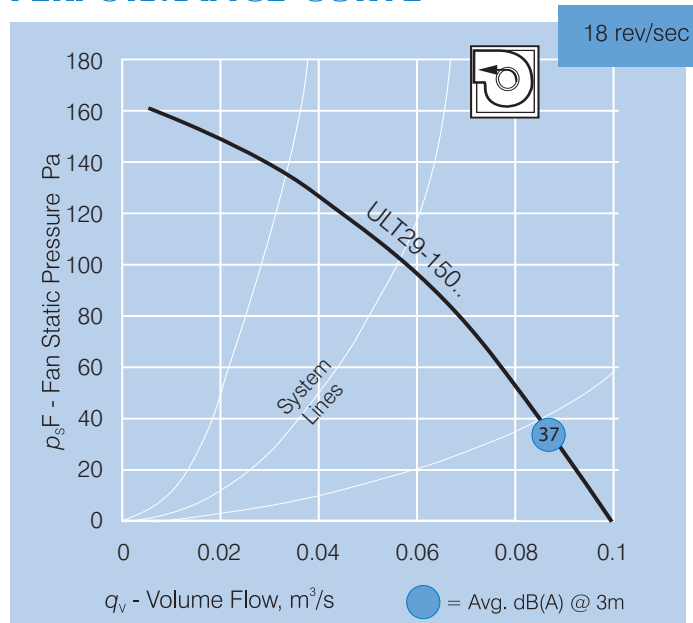
## SUGGESTED SPECIFICATION

The ceiling fans shall be of the Ultimate Header Box Series as designed by Fantech Pty Ltd. and be of the model number shown on the schedule/drawing.

Impellers shall be forward-curved centrifugal and driven by a squirrel cage motor with integral thermal protection. They shall be fitted with high strength swing clips, removable spigot, low resistance non-return backdraft damper and removable clip-in diffuser. They shall include a plug and lead, and its housing and diffuser be made of injected moulded, fire retardant, ABS plastic.

They shall be tested to ISO5801: 2007 for air flow and ISO3744: 2010 for noise.

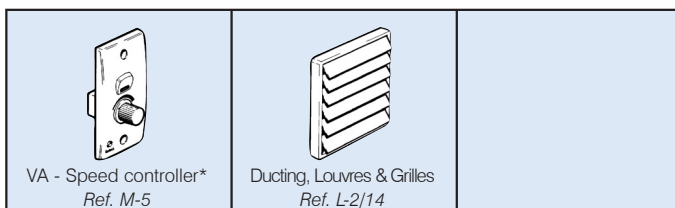
## PERFORMANCE CURVE



## TECHNICAL DATA

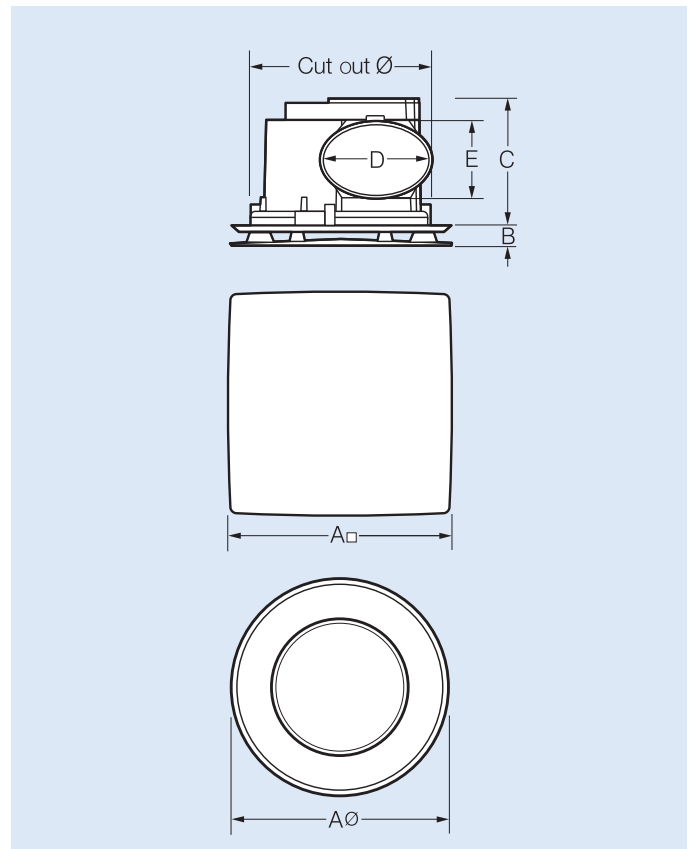
Model Number	Fan Speed rev/sec	Avg. dB(A) @ 3m	Watts	Amps	App. Wt. kg
ULT29-150..	18	37	60	0.27	3.25

## ANCILLARY EQUIPMENT



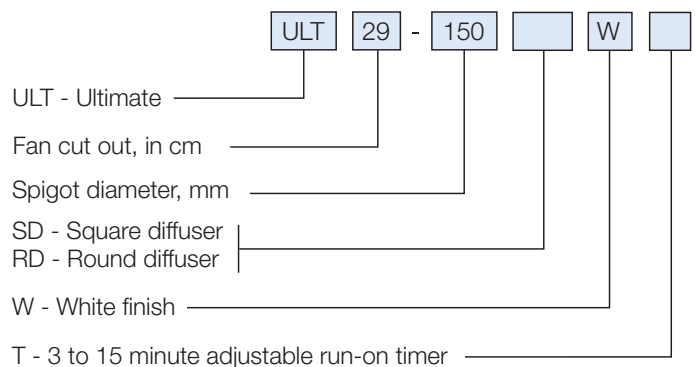
\* Not suitable for models with run-on timers

## DIMENSIONS



Model Number	Description	Cut out Ø	Dimensions, mm				
			A	B	C	D	E
ULT29-150SDW..	Square diffuser	295	353□	30	197	170	120
ULT29-150RDW..	Round diffuser	295	332Ø	30	197	170	120

## HOW TO ORDER



Scan the QR Code to view more information online.

