

Ezifit Thru Roof Relief Vent

Ø150mm Spigot



CONTENTS & INSTALLATION INSTRUCTIONS

Contents:

Ezifit Relief Vent		1 off.
Roof Flashing-Metal Deck or,		1 off.
Roof Flashing-Tile		1 off.
Duct Support Straps		2 off
Installation Instruction		1 off.
Mounting Screws		12 off.

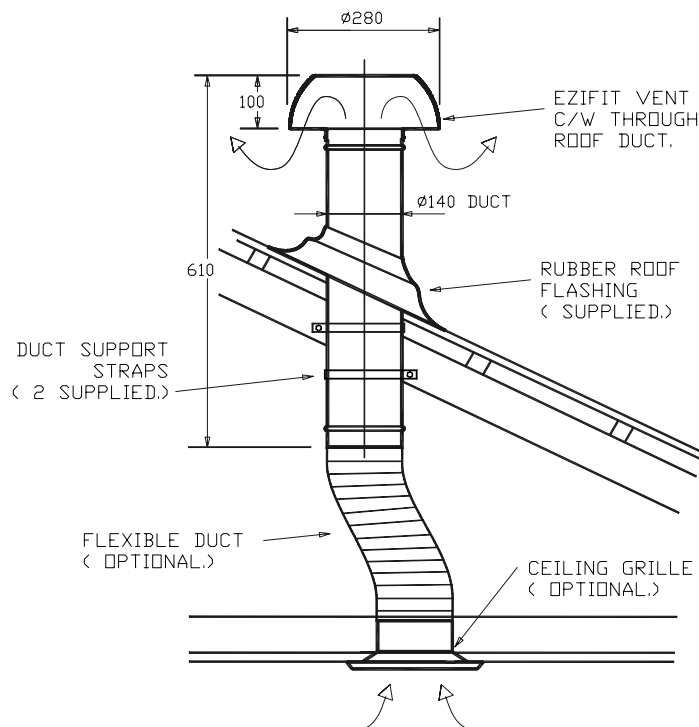
also available on request:

Flexible duct 150 dia. x 6m long	DUCT150-6M	1 off.
Internal ceiling exhaust grille	ALG150	1 off.

Inspection:

Ensure the unit has arrived in good condition.
This product is designed to be installed on a roof up to 45° pitch.

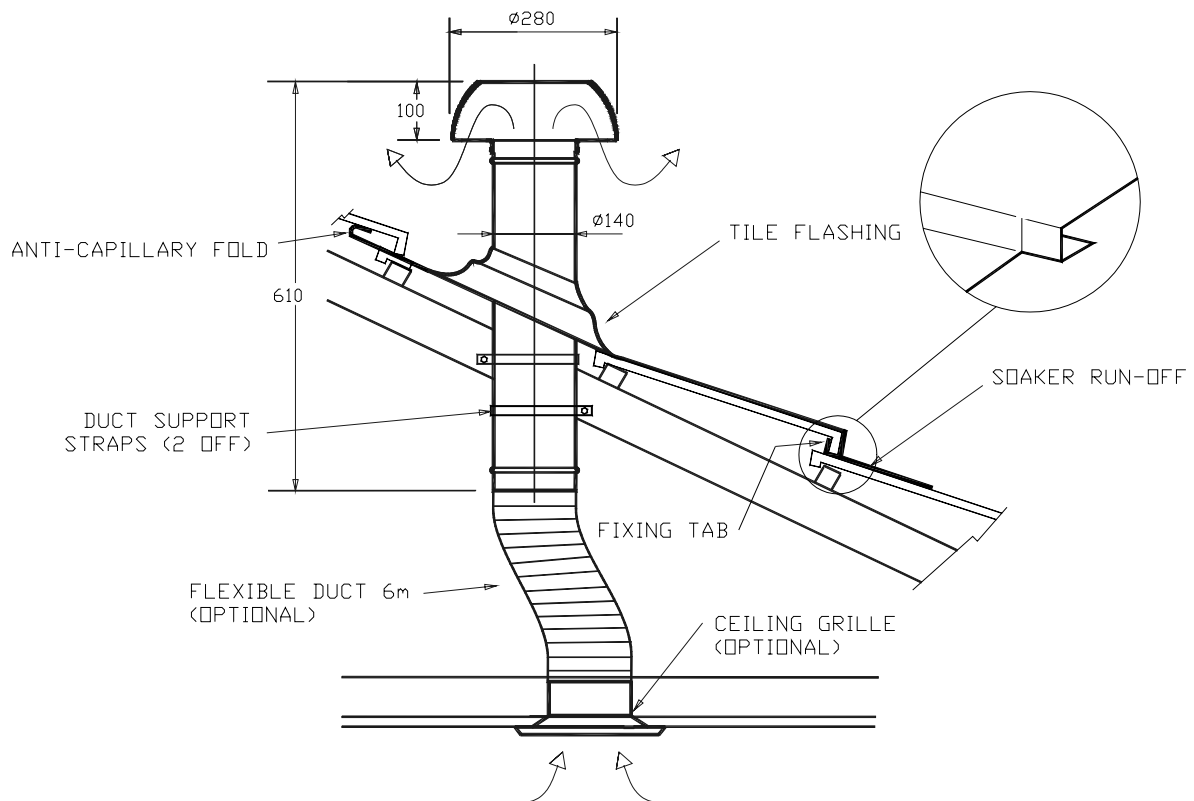
Installation on Metal Deck:



Installation:

1. Installation of this product should be carried out by appropriately qualified persons.
2. Cut a hole in the roof 150mm minimum (with regard to roof pitch angle) diameter. The hole should be positioned adjacent to a rafter or other member to facilitate the use of the duct support straps supplied. Ensure a clean edge.
3. Cut the rubber roof flashing supplied for 140mm diameter through roof duct.
4. Slide the flashing over the through roof duct to the required position.
5. Check the fit of the duct in the cut hole. The duct must be positioned vertically.
6. If satisfactory fasten the duct to the rafter or other member using the duct support straps provided.
7. Fit the flashing to the metal deck using the mounting screws provided. Seal duct seam with sealant.
8. The vent through roof duct is designed for connection to 150mm duct using duct tape or clamps.

Installation on Tiles:



Installation:

1. Installation of this product should be carried out by appropriately qualified persons.
2. Prepare an opening in the tiled roof 170mm minimum (with regard to roof pitch angle) diameter. The hole should be positioned adjacent to a rafter or other member to facilitate the use of the duct support straps supplied.
3. Cut the rubber roof flashing supplied for 140mm diameter through roof duct.

4. Slide the flashing over the through roof duct to the required position.
5. Check the fit of the duct in the opening. The duct must be positioned vertically.
6. If satisfactory fasten the duct to the rafter or other member using the duct support straps or mounting brackets provided.
7. Fit the upper edge of the flashing underneath the tile, bending over top edge to form an anti-capillary barrier.
8. Cut two tabs in the corners of the lower section and turn under tile (refer detail). Lay the lower section of the flashing over tiles and form a run off tray. Form to tiles. Seal duct seam with sealant.
9. The vent through roof duct is designed for connection to 150mm duct using duct tape or clamps.

WARRANTY:

- Fantech Pty Ltd warrants products of its manufacture when not misused or neglected to be free of defects in workmanship and/or materials. Our obligation under this warranty is limited to repairing or exchanging F.O.B. factory, any part, assembly or portion found to be defective within one year from the date of commissioning but not to exceed eighteen (18) months from date of shipment from our factory.
- The Company assumes no responsibility for labour costs involved in the removal of defective parts, installation of new parts or related service charges.
- The Company shall have the option of requiring the return of the defective part (transportation prepaid by the Buyer) to establish the claim.
- Warranty will be void if installation is not carried out by qualified personnel in accordance with these instructions and good trade practice.
- Fully detailed warranty conditions are contained in Fantech's Standard Conditions of Trading.