

Ezifit Thru Wall Exhaust Fan



CONTENTS & INSTALLATION INSTRUCTIONS

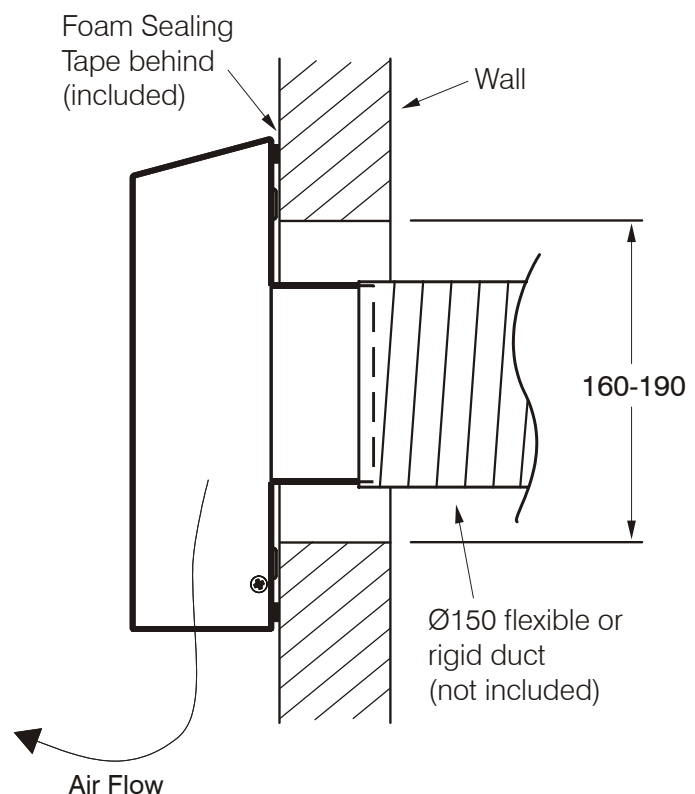
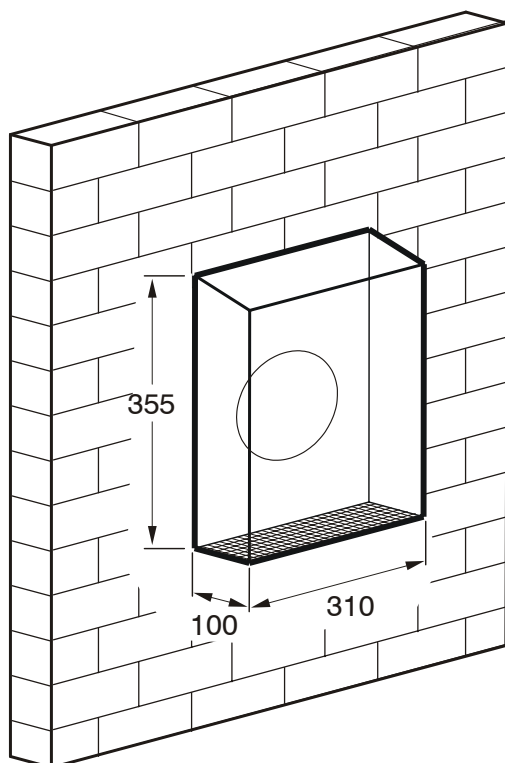
Contents:

| | | |
|--------------------------|------------------|--------|
| Ezifit Fan | EWE152 or EWE154 | 1 off. |
| Installation Instruction | | 1 off. |
| Foam Sealing Tape 1.3m | | 1 off. |
| Self-Tapping Screws | | 4 off. |
| Nylon Masonry Anchors | | 4 off. |

Also available on request:

Product Number

| | |
|----------------------------------|----------------|
| Flexible duct 150 dia. x 6m long | DUCT150-6M |
| Internal ceiling exhaust grille | ALG150 |
| Duct Joiners | JOINER150 |
| Y Piece | YP-150-150-150 |
| Speed Control Switch | VA2.0 |



Inspection:

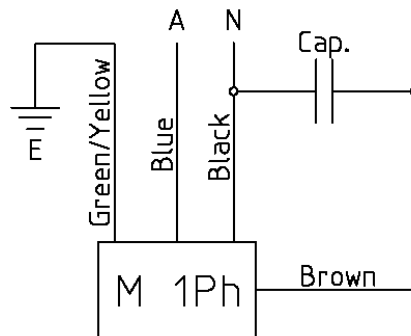
Ensure the unit has arrived in good condition and that the impeller will spin freely.

Installation:

1. Installation of this product should be carried out by appropriately qualified persons.
2. This fan is designed for connection to 150mm duct using duct tape or clamps.
3. Cut either a circular or square hole in the wall between 160-190mm diameter/ square. Ensure a clean edge.
4. Check the fit of the duct (and clamp if used) in the cut hole. The duct must be positioned horizontally through the hole.
5. Fit the foam sealing tape supplied to rear of fan housing. Run tape around the outside of the four mounting holes and ensure the tape join is along the bottom of the housing for effective seal.
6. Remove cover from fan by un-doing the side fixing screws.
7. Position the fan on the wall with the airflow arrow pointing down.
8. Use fan for template to mark and drill holes for power cable and fastening screws.
9. Pull power cable through assigned hole and attach duct to the spigot.
10. Fix fan to wall with appropriate fastening screws.
11. Connect electrical cable to terminal block in accordance to the wiring diagram (**This is to be done by a qualified electrician**).
12. Test run the fan to ensure free rotation.
13. Refit Cover.

Electrical Connections:

This product is designed to be wired by a qualified electrician.



Safety Considerations:

1. All connections must be in accordance with any local regulations. This product must be installed by a licensed electrician. Minimum size cable to be used is 2.5mm².
2. The Licensed Electrical installer must ensure that an approved means of disconnection be incorporated into the fixed wiring.
3. Fans have automatic thermal cut-out switches incorporated in the motor as standard.
4. This appliance is not intended for use by young children or infirm persons without supervision.
5. For duct or partition mount, precautions must be taken to avoid the back-flow of gases into the room from the open flue of gas or other open-fire appliances.

WARRANTY:

- Fantech Pty Ltd warrants products of its manufacture when not misused or neglected to be free of defects in workmanship and/or materials. Our obligation under this warranty is limited to repairing or exchanging F.O.B. factory, any part, assembly or portion found to be defective within one year from the date of commissioning but not to exceed eighteen (18) months from date of shipment from our factory.
- The Company assumes no responsibility for labour costs involved in the removal of defective parts, installation of new parts or related service charges.
- The Company shall have the option of requiring the return of the defective part (transportation prepaid by the Buyer) to establish the claim.
- Warranty will be void if installation is not carried out by qualified personnel in accordance with these instructions and good trade practice.
- Fully detailed warranty conditions are contained in Fantech's Standard Conditions of Trading.