

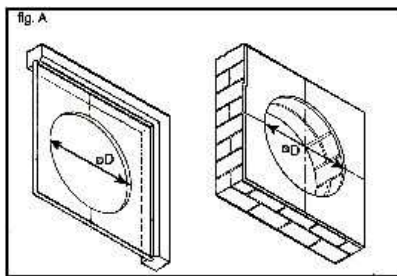
Contents: Check that your HV-Weather Cap contains

- Weather Cap (1).
- Weather Cap Mounting Screws (3 for HV-150CAP and HV-230CAP), (4 for HV-300CAP).
- M4 Nuts and Washers (3 for HV-150CAP and HV-230CAP), (4 for HV-300CAP).
- White mounting tabs (3 for HV-150CAP and HV-230CAP), (4 for HV-300CAP).

Inspection: Before installing check both your HV Stylvent fan and Weather Cap for any transit damage.

Installation:

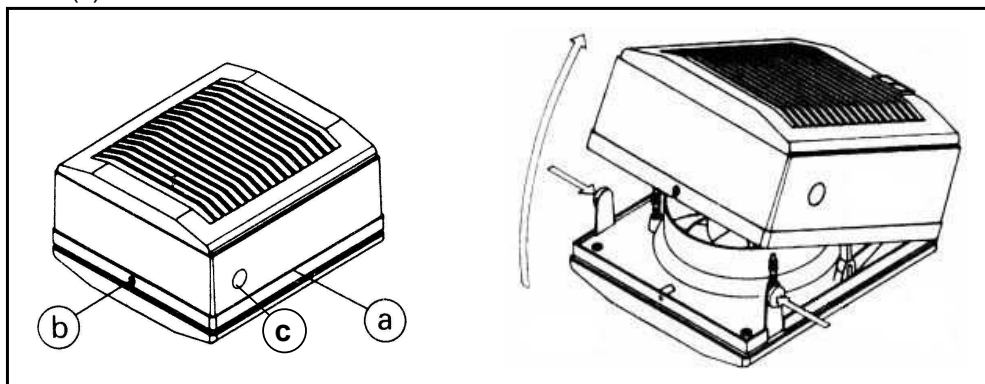
- Cut a hole following the dimensions in Fig. A.



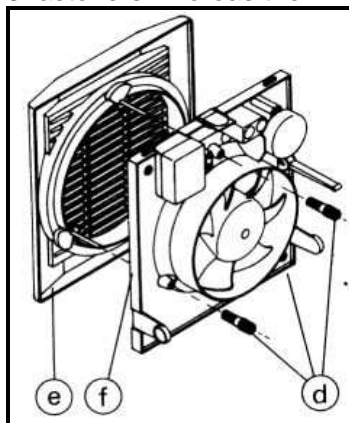
(mm)	HV-150	HV-230	HV-300
ØD Min	187	259	327
ØD Max	190	262	330

- **Preparing The HV-Fan:**

1. Remove the cover (a) by unscrewing the retaining screw (b) found on the bottom of the fan. Then press the tabs (c) and lift off the cover.

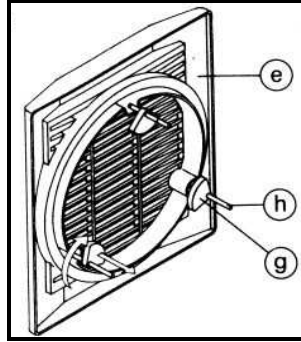


2. To remove the external grille (e) from the fan backing plate (f) unscrew the plastic fasteners (d). Note the HV-150 and HV-230 have 3 fasteners whereas the HV-300 has 4.

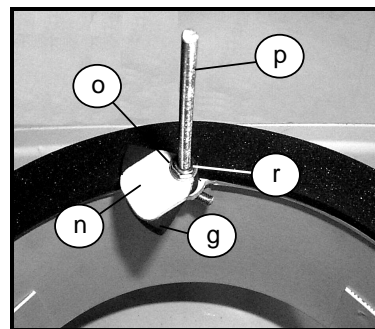
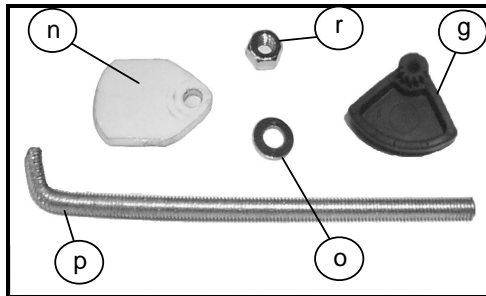


- **Preparing The Weather Cap:**

1. Remove the rubber moulded grommets (g) from the grille fastening screws (h). Keep the grommets as they are required for installing the Weather Cap. Discard the external grille (e) with its screws (h) which will now be replaced by the Weather Cap.

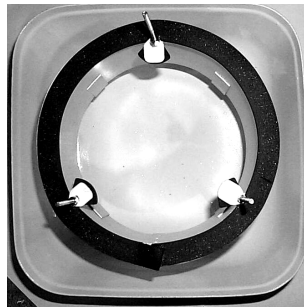


2. Put the Weather Cap Mounting Screws (p), into the holes within the collar section of the Weather Cap from the inside so the screws point out toward you. Slide on the rubber grommets (g) with the flat side up, then the white tabs (n), the washers (o) and hold them in place with the nuts (r) leave the nuts loose for now.

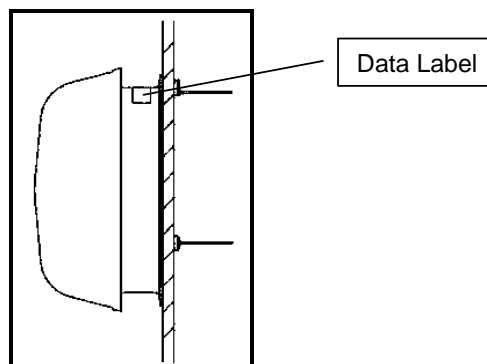


- **Installing The Weather Cap and Fan:**

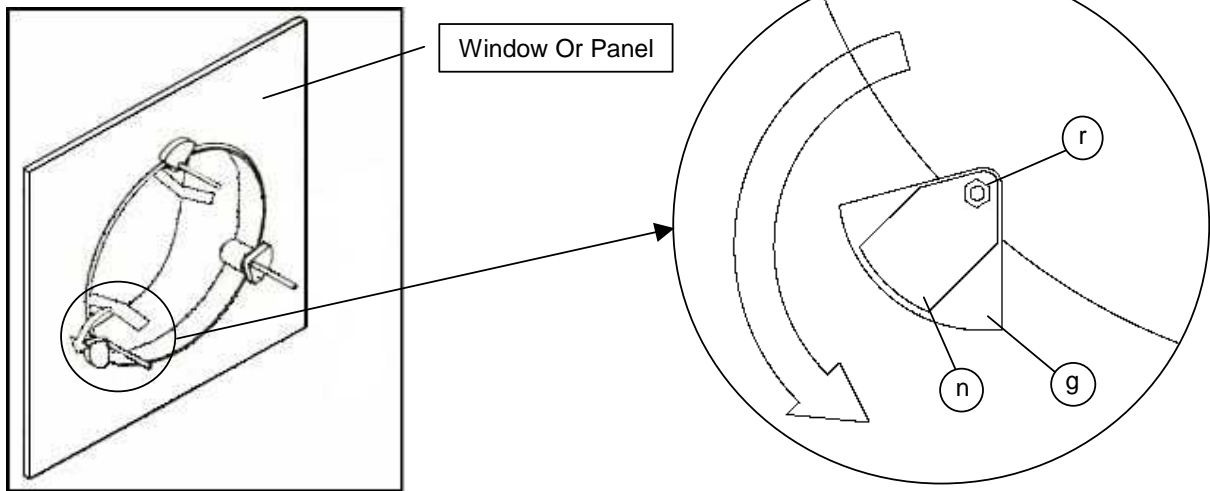
1. Make sure the rubber grommets and tabs are turned inward as shown (below).



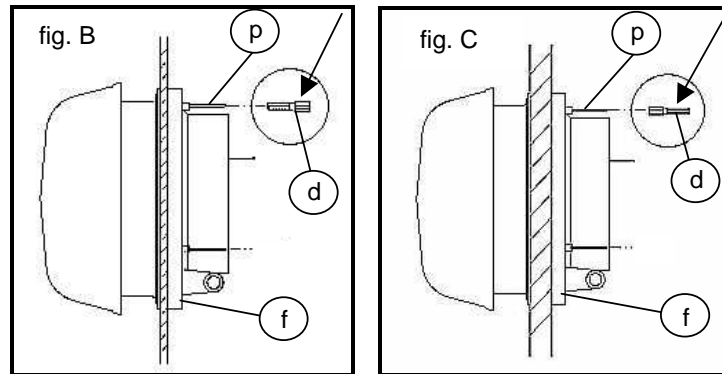
2. From the outside put the cap over the hole in the window/panel. Make sure you mount the cap the correct way up, the label located on the collar of the Weather Cap indicates the top of the cap.



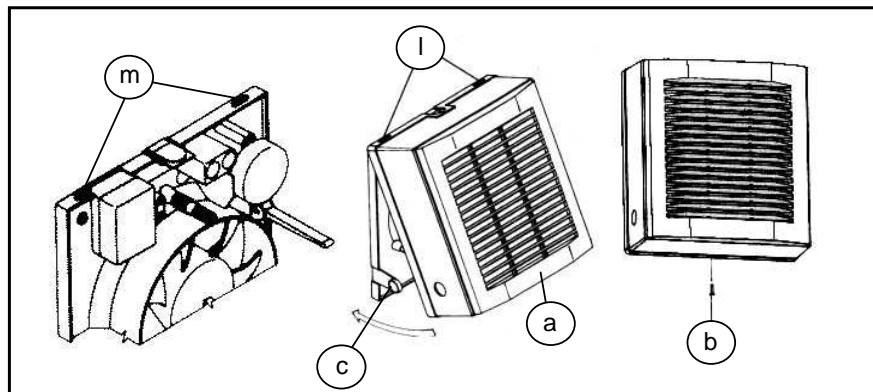
- From the inside rotate the rubber grommets (g) and white tabs (n) outward over the window or panel. Tighten the nuts (r) so the cap is held firmly in place. **Caution Do Not Over Tighten Nuts**, a small amount of movement in the rubber grommet is needed so the screws can be lined up when attaching the fan.



- Mount the fan backing plate (f) to the Weather Cap Mounting Screws (p) and tighten the fasteners (d). Note the orientation of the fasteners will depend on the thickness of the installation.
 - For Window or Panel 3-14mm Thick refer to (d) circled in Fig. B.
 - For Wall Mounting 14-25mm Thick refer to (d) circled in Fig. C.



- For wiring instructions see your HV-Fan instruction leaflet
- Mount the internal cover (a) by slotting the rectangular openings (l) on top of the cover into the receivers (m) of the fan mounting plate until the two tabs (c) are correctly positioned. Then replace the locking screw (b)



HV Weather Caps Are Distributed By Fantech Pty Ltd.
 Ph:(03)8545 2345 Fax:(03)8545 2333 e-mail info@fantech.com.au