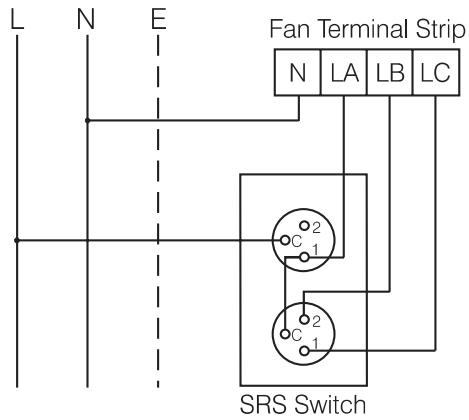


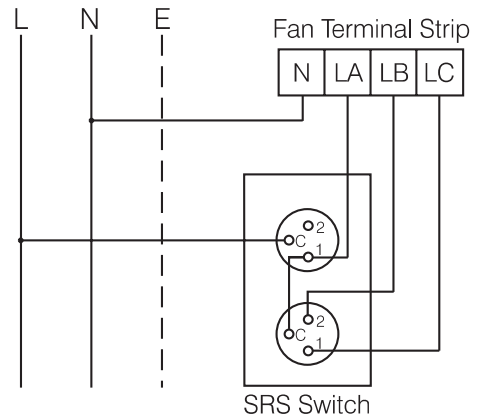
SRS WIRING DIAGRAM



- Note:-
1. Remove link at fan terminal strip
 2. Fan is double insulated - no earth required.

INST-SRS

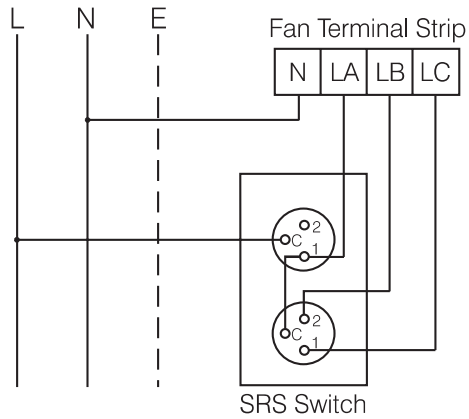
SRS WIRING DIAGRAM



- Note:-
1. Remove link at fan terminal strip
 2. Fan is double insulated - no earth required.

INST-SRS

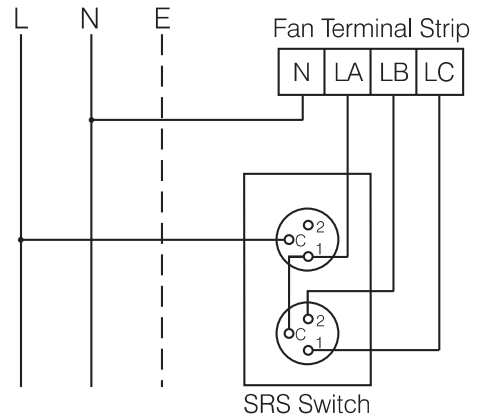
SRS WIRING DIAGRAM



- Note:-
1. Remove link at fan terminal strip
 2. Fan is double insulated - no earth required.

INST-SRS

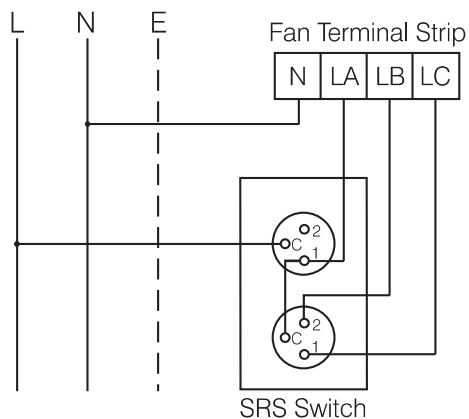
SRS WIRING DIAGRAM



- Note:-
1. Remove link at fan terminal strip
 2. Fan is double insulated - no earth required.

INST-SRS

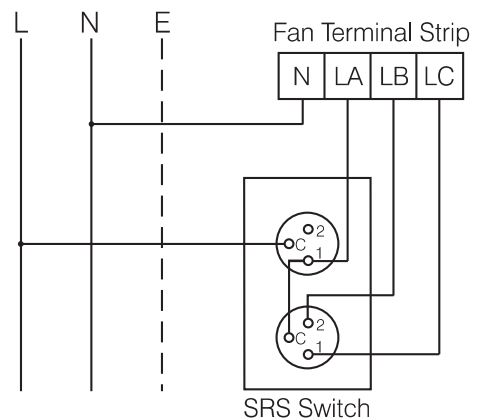
SRS WIRING DIAGRAM



- Note:-
1. Remove link at fan terminal strip
 2. Fan is double insulated - no earth required.

INST-SRS

SRS WIRING DIAGRAM



- Note:-
1. Remove link at fan terminal strip
 2. Fan is double insulated - no earth required.

INST-SRS